



# FS-SBLT2

Submersible Level Transmitters



## Overview

The FS-SBLT2 Submersible Level Transmitters are manufactured for years of trouble free service in the harshest applications. They measure the height of liquid above the position in the tank referenced to atmospheric pressure. The transmitters consist of a piezoresistive sensing element, encased in a 316 SS housing. The PVS bullet nose design protects the diaphragm from damage.

## Applications

- Well monitoring
- Ground water monitoring

## Features & Benefits

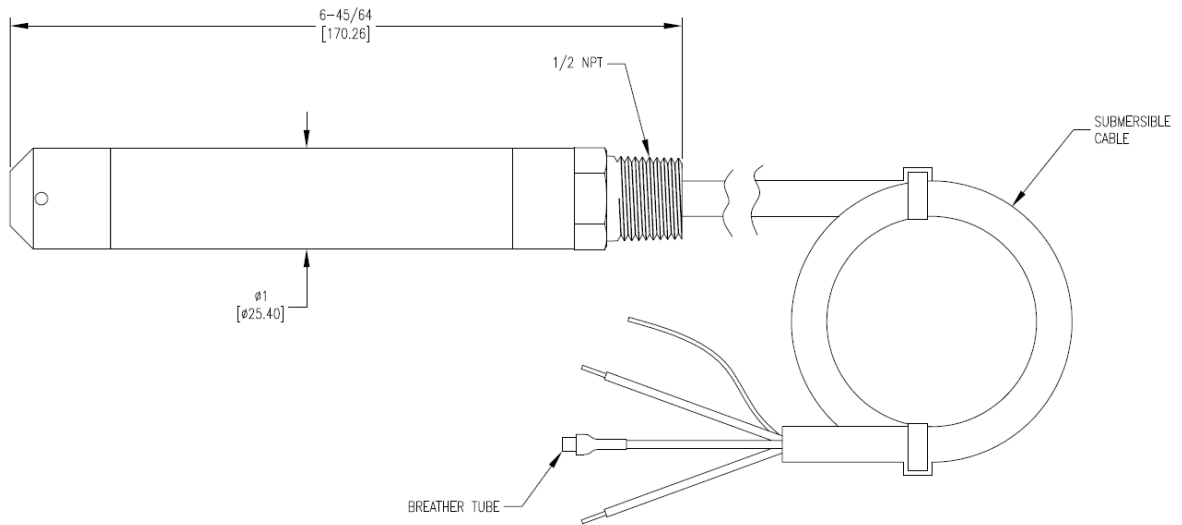
- Submersible
- Excellent chemical compatibility
- Piezoresistive sensing element

## Model Selection

FS-SBLT2-10-40	Submersible level transmitter with 68.9 kPa (10 psi) sensor range, 12.2 m (40 ft) polyurethane cable
FS-SBLT2-10-40-ETFE	Submersible level transmitter with 68.9 kPa (10 psi) sensor range, 12.2 m (40 ft) ETFE cable
FS-SBLT2-15-60	Submersible level transmitter with 103.4 kPa (15 psi) sensor range, 18.3 m (60 ft) polyurethane cable
FS-SBLT2-15-60-ETFE	Submersible level transmitter with 103.4 kPa (15 psi) sensor range, 18.3 m (60 ft) ETFE cable
FS-SBLT2-20-60	Submersible level transmitter with 137.8 kPa (20 psi) sensor range, 18.3 m (60 ft) polyurethane cable
FS-SBLT2-20-60-ETFE	Submersible level transmitter with 137.8 kPa (20 psi) sensor range, 18.3 m (60 ft) ETFE cable
FS-SBLT2-5-40	Submersible level transmitter with 34.5 kPa (5 psi) sensor range, 12.2 m (40 ft) polyurethane cable
FS-SBLT2-5-40-ETFE	Submersible level transmitter with 34.5 kPa (5 psi) sensor range, 12.2 m (40 ft) ETFE cable

# Product Specifications

Service	Compatible liquids
Wetted Materials	316 SS, 316L SS, Epoxy
<input type="checkbox"/> Cable	Polyurethane or ETFE
<input type="checkbox"/> Bullet Nose	PVC
Accuracy	±0.25% of FS
Temperature Limit	0 to 150°F (-18 to 66°C)
Compensated Temperature Range	0 to 140°F (-18 to 60°C)
Thermal Effect	±0.02% full scale/°F
Pressure Limit	2X full scale
Power Requirement	13 to 30 VDC
Output Signal	4 to 20 mA DC, 2-wire
Response Time	50 ms
Max. Loop Resistance	900 Ω at 30 VDC
Electrical Connections	Wire pigtail
Mounting Orientation	Suspended in tank below level being measured
Weight	2.2 lb (1.0 kg)
Electrical Protection	Lightning and surge protection
Agency Approvals	None



Specifications subject to change without notice.  
Distech Controls, and the Distech Controls logo are trademarks of Distech Controls Inc. All other trademarks are property of their respective owner.  
©, Distech Controls Inc., 2015. All rights reserved.