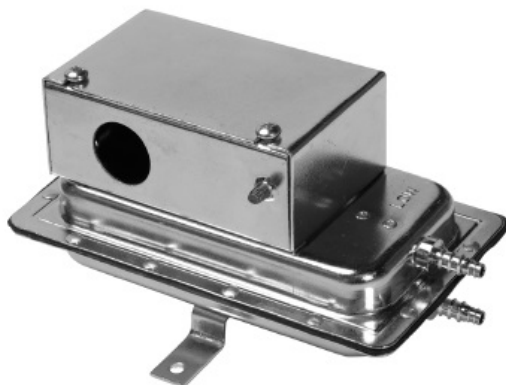




PS-ADPSXXXM Series

Air Pressure Switches (Metal Housing)



Overview

The PS-ADPSXXXM Series are airflow switches. These devices are general-purpose air-flow-proving switches designed for HVAC and energy management applications. It may be used to sense positive, negative, or differential air pressure. The PS-ADPSXXXM Series plated housing contains a diaphragm, a calibration spring and a snap-acting SPDT switch. The enclosure cover guards against accidental contact with the live switch terminal screws and the set point adjusting screw.

Applications

- Monitoring filters
- Measuring duct static pressure
- Proof of blower operation
- Monitoring pressure drop across coils
- Monitoring damper status

Features & Benefits

- Economical
- Ease of installation
- Adjustable set point
- UL, CSA, FM approved

Model Selection

PS-ADPS12WCMMX	Air flow switch with manual reset, 0.06 - 12" W.C. range, metal enclosure.
PS-ADPS12WCMMB	Air flow switch with manual reset and barbed fittings, 0.06 - 12" W.C. range, metal enclosure.
PS-ADPS02WCMAX	Air flow switch with automatic reset, 0.02 - 2" W.C. range, metal enclosure.
PS-ADPS02WCMA B	Air flow switch with automatic reset and barbed fittings, 0.02 - 2" W.C. range, metal enclosure.
PS-ADPS12WCMA X	Air flow switch with automatic reset, 0.02 - 12" W.C. range, metal enclosure.
PS-ADPS12WCMA B	Air flow switch with automatic reset and barbed fittings, 0.02 - 12" W.C. range, metal enclosure.

Product Specifications

Environmental

Operating temperature _____ -40°C to 82°C; -40°F to 180°F
Storage temperature _____ -40°C to 82°C; -40°F to 180°F
Ambient humidity _____ 10 to 95% Non-condensing

Enclosure

Material _____ Zinc plated steel
Color _____ Silver
Shipping Weight _____ 2.0lbs (0.91kg)

Pressure Connections:

- PS-ADPS12WCMMX _____ Ferrule and nut compression type connectors that accept 0.25" (6.35 mm) O.D. rigid tubing
- PS-ADPS02WCMAX _____
- PS-ADPS12WCMAX _____
- PS-ADPS12WCMMB _____
- PS-ADPS02WCMMB _____

PS-ADPS12WCMMB _____ ¼" barbed fitting for flexible plastic tubing

Wiring Connections _____ Screw top terminals with cup washers

Elec. Conduit Connection _____ 7/8" diameter opening accepts ½" conduit.

Mounting Position _____ Diaphragm in any vertical plane

Media Compatibility _____ Air or combustion by-products that will not degrade silicone

Pressure

Maximum Pressure _____ 0.5 psi ; 0.03 bar

Pressure Range:

- PS-ADPS12WCMAX _____ 0.05±, 0.02" w.c to 12" w.c
- PS-ADPS02WCMAX _____ 0.05±, 0.02" w.c to 2" w.c
- PS-ADPS12WCMMX _____ 0.40±, 0.06" w.c to 12" w.c

Switch Differential:

- PS-ADPS12WCMAX _____ 0.02"±0.01"W.C. (min SP) to 0.8"W.C. (max SP)
- PS-ADPS02WCMAX _____ 0.02"±0.01"W.C. (min SP) to 0.1"W.C. (max SP)
- PS-ADPS12WCMMX _____ 0.06"±0.01"W.C. (min SP) to 0.8"W.C. (max SP)

Electrical

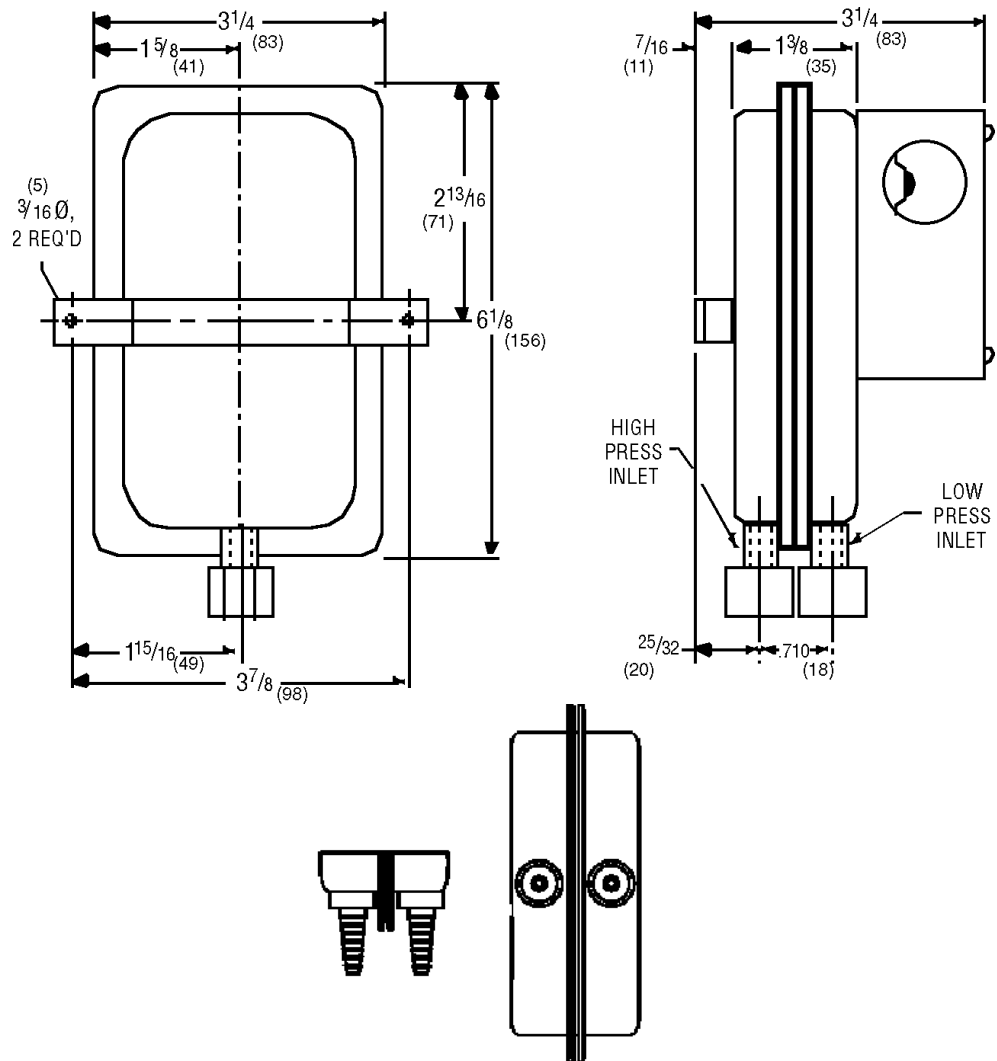
Contact Rating _____ 300 wVA pilot duty at 115 to 277 Vac, 10 Amp.
Non inductive, 227 Vac, 60 Hz wave rectified

Contact Arrangement:

- PS-ADPS12WCMAX/PS-ADPS02WCMAX _____ SPDT
- PS-ADPS12WCMMX _____ SPST-NC Reset
- PS-ADPS12WCMAX/PS-ADPS02WCMAX _____ Automatic
- PS-ADPS12WCMMX _____ Manual

Life _____ 100,000 cycles at 0.5 psi max. pressure each cycle and at max. electrical load

Dimensions



1/4" OD Barbed Connector
suitable for flexible plastic tubing.

Specifications subject to change without notice.
Distech Controls, and the Distech Controls logo are trademarks of Distech Controls Inc. All other trademarks are property of their respective owner.
©, Distech Controls Inc., 2015 to 2017. All rights reserved.