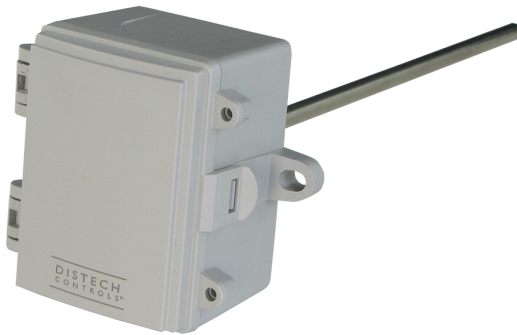




TS-AR2X Sensor Series

Rigid Duct Averaging Temperature Sensors, Nema 4X



Overview

The TS-AR2X Sensor Series are rigid duct averaging temperature sensors. They are encapsulated in a 6.00 mm (0.236") OD, 304 stainless steel probe. All probes provide excellent heat transfer and fast response, and they resist moisture penetration. This temperature sensor is available with various probe lengths.

Applications

- Used for measuring temperature on supply and return ducts
- Incorporated in chillers to monitor temperature gradients
- Used in heat exchangers and air handling units to provide temperature sensing for control of heating / cooling coils
- Used for more precise measurements by taking readings at various points and averaging out

Features & Benefits

- Economical
- Ease of installation
- Probes made of corrosion-resistant 304 stainless steel
- Accurate temperature monitoring for increased comfort
- Proven long stability and performance

Model Selection

	TS-	AR	2X	018
Mounting Style		AR = Duct averaging, rigid stainless steel probe		
Enclosure			2X = Plastic enclosure, Nema 4X	
Probe Length				018 = 18" (45.7cm) 024 = 24" (60.9cm) 036 = 36" (91.5cm)

Product Specifications

Environmental

Operating temperature _____ -20 °C to 60 °C (-4 °F to 140 °F)
Storage temperature _____ -20 °C to 60 °C (-4 °F to 140 °F)
Ambient humidity _____ 0 to 95% Non-condensing

Sensor/Probe

Temperature Sensor Type¹ _____ 10kΩ NTC thermistor, Type 2
Temperature Sensor Accuracy _____ ±0.2°C; ±0.36°F
Probe Material _____ 304 Series Stainless Steel
Probe Dimension _____ 6.00 mm (0.236") Diameter

Enclosure

Material _____ Grey ABS; Type: UL94-V0; IP65 (NEMA 4X)
Shipping weight _____ 0.60 lbs (0.2727 kg)

Electrical

Dissipation Factor: _____ 2.2mW/K (Thermistor)
Max Power @ 25°C (77°F): _____ 75mW (Thermistor)
Thermal Time Constant: _____ Less than 10s (Thermistor)

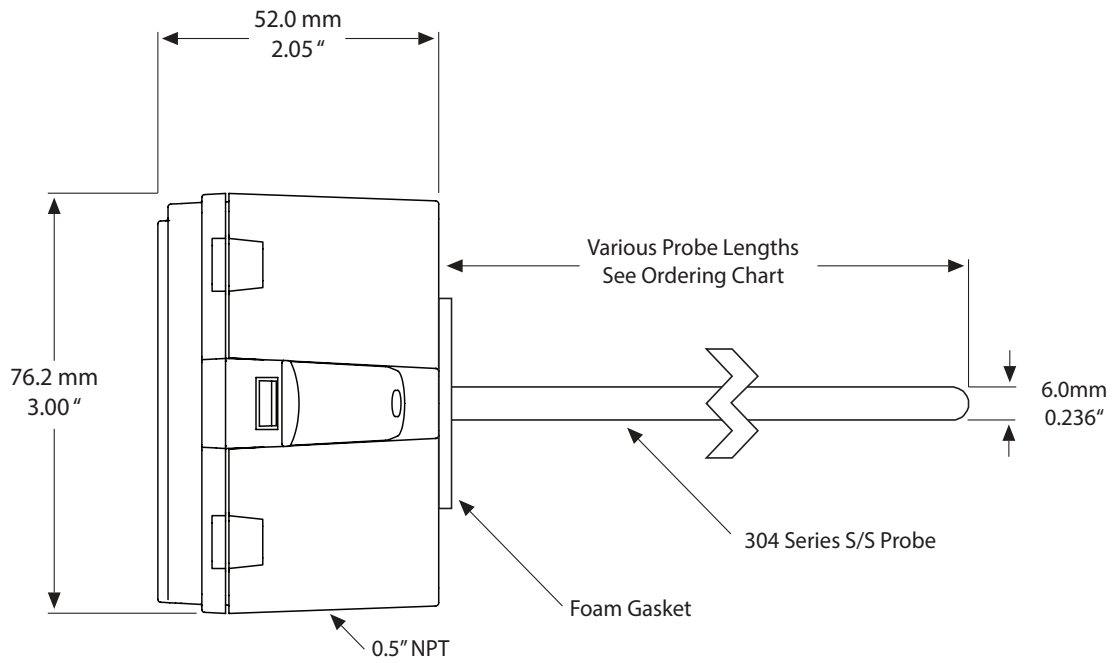
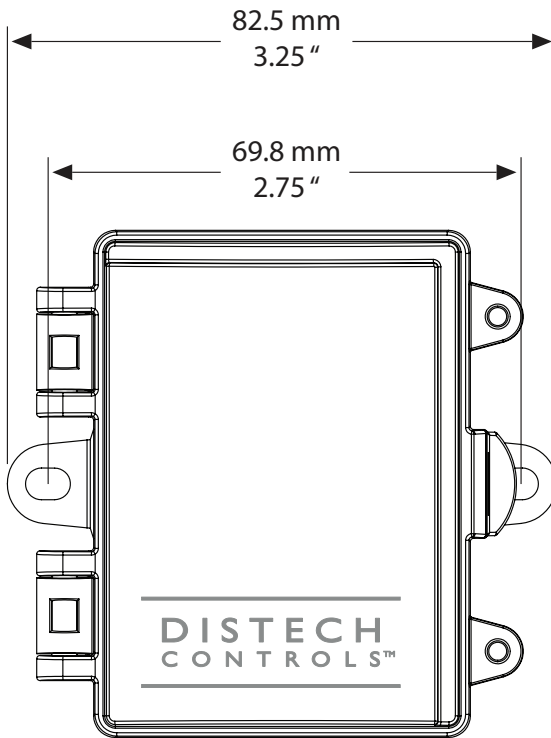
Agency Approval

Material² _____ UL94-V0



1. Temperature sensor type stated is standard. Other temperature sensor types are available.
2. All materials and manufacturing processes comply with the RoHS directive

Dimensions



Specifications subject to change without notice.
Distech Controls, and the Distech Controls logo are trademarks of Distech Controls Inc. All other trademarks are property of their respective owner.
©, Distech Controls Inc., 2018. All rights reserved.