



# TS-SP2X Sensor Series

Strap-On Temperature Sensors (Probe), Nema 4X



## Overview

The TS-SP2X Sensor represents a strap-on temperature sensor that provides precision temperature sensing for pipes and tanks. The single-point strap-on temperature sensor uses a precision sensor encapsulated in a 6.35 mm (0.25") OD and a 304 stainless steel probe. It is available in various lengths. All probes are constructed so as to provide excellent heat transfer and fast response, and they are potted so as to resist moisture penetration. The sensor has a pre-formed 1/2" (12.7mm) knockout for conduit connections.

## Applications

- Used for measuring temperature on supply and return hot water pipes of heating systems
- Used for measuring temperature in supply and return lines in chillers

## Features & Benefits

- Economical
- Ease of installation
- Probes made of corrosion-resistant 304 stainless steel
- Accurate temperature monitoring for increased comfort
- Sensors are hermetically sealed

## Model Selection

TS-SP2X002	Strap-on temperature sensor 50mm (2") with ABS enclosure, hinged cover
------------	--

# Product Specifications

## Environmental

Operating temperature \_\_\_\_\_ -20°C to 105°C; -4°F to 221°F  
Storage temperature \_\_\_\_\_ -20°C to 105°C; -4°F to 221°F  
Ambient humidity \_\_\_\_\_ 0 to 95% Non-condensing

## Enclosure

Material \_\_\_\_\_ Grey ABS; Type: UL94-V0; IP65 (NEMA 4X)  
Shipping weight \_\_\_\_\_ 0.60lbs (0.2727kg)

## Electrical

Dissipation Factor \_\_\_\_\_ 2.2mW/K (Thermistor)  
Max Power @ 25°C (77°F) \_\_\_\_\_ 75mW (Thermistor)  
Thermal Time Constant \_\_\_\_\_ Less than 10s (Thermistor)

## Temperature Sensor

Type<sup>1</sup> \_\_\_\_\_ 10kΩ NTC thermistor, Type 2  
Range \_\_\_\_\_ -20°C to 105°C; -4°F to 221°F  
Accuracy \_\_\_\_\_ ±0.2°C; ±0.36°F

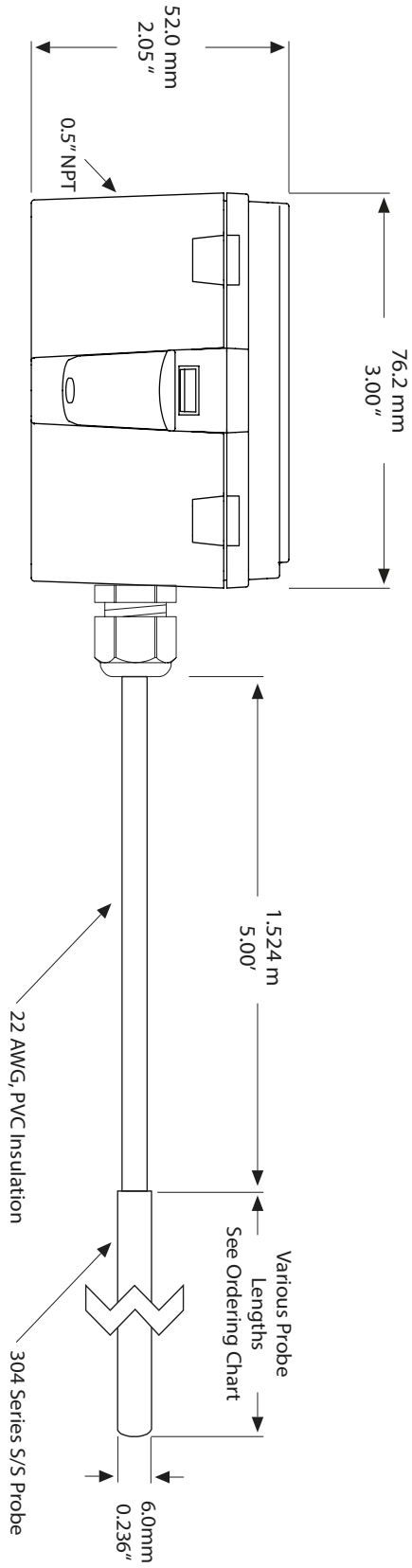
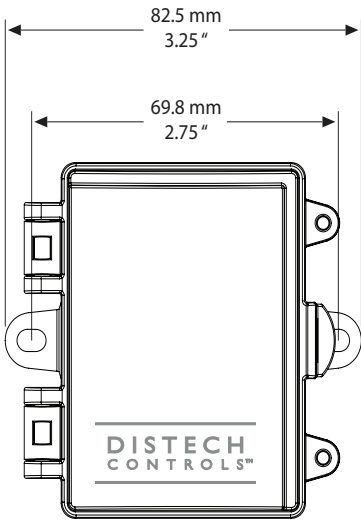
## Agency Approvals

Material<sup>2</sup> \_\_\_\_\_ UL94-V0



1. Temperature sensor type stated is standard. Other temperature sensor types are available.
2. All materials and manufacturing processes comply with the RoHS directive

# Dimensions



Specifications subject to change without notice.  
Distech Controls, and the Distech Controls logo are trademarks of Distech Controls Inc. All other trademarks are property of their respective owner.  
©, Distech Controls Inc., 2018. All rights reserved.