



TS-THVADS

Thermowell pocket with pressure screw



Overview

Thermowell pocket made of stainless steel and equipped with pressure screw for temperature sensing.

Applications

- Control and monitoring

Features & Benefits

- Extended pressure range
- Extended velocity range
- Ease of installation

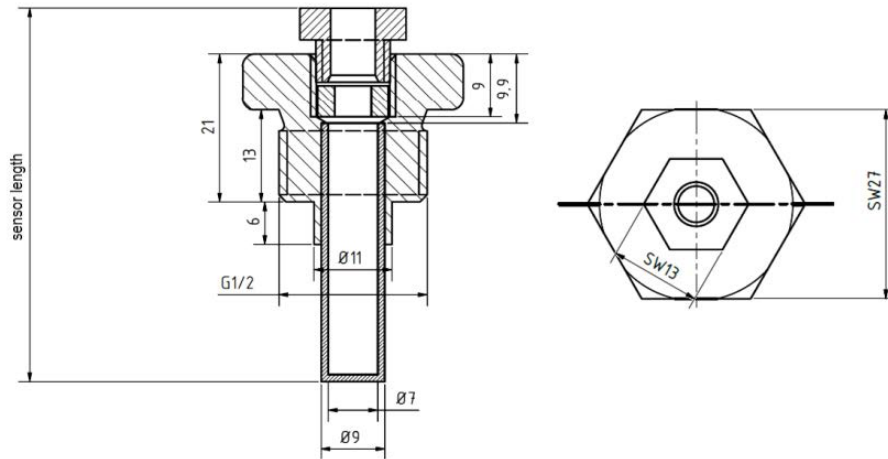
Model Selection

TS-THVADS50	Thermowell pocket for 50 mm sensor length, 30 m/s max. flow velocity
TS-THVADS100	Thermowell pocket for 100 mm sensor length, 13.5 m/s max. flow velocity
TS-THVADS150	Thermowell pocket for 150 mm sensor length, 9 m/s max. flow velocity
TS-THVADS200	Thermowell pocket for 200 mm sensor length, 5.5 m/s max. flow velocity
TS-THVADS250	Thermowell pocket for 250 mm sensor length, 4 m/s max. flow velocity
TS-THVADS300	Thermowell pocket for 300 mm sensor length, 2.5 m/s max. flow velocity
TS-THVADS450	Thermowell pocket for 450 mm sensor length, 1 m/s max. flow velocity

Product Specifications

Measuring Values	Temperature
Packaging Unit	1 piece
Material	pipe: 1.4571 (V4A) turned part: 1.4404 (V4A)
Compressive strength	up to 40 bar
Operating ambient temperature	up to 200 °C
Notes	Thermowell pocket made of stainless steel for temperature sensor AKF10+ und TF25 Equipped with pressure screw Polyamid (PA66/GF25)

Dimensions (mm)



Specifications subject to change without notice.
Distech Controls, and the Distech Controls logo are trademarks of Distech Controls Inc. All other trademarks are property of their respective owner.
©, Distech Controls Inc., 2019. All rights reserved.