



TS-TWN Series

Thermowells



Overview

The TS-TWN series thermowells are compatible with TS-D2X and TS-D2yyy, Nema4x Duct & Immersion sensors. They are available in 304 series, 316 series stainless steel, as well as in a wide range of lengths.

Model Selection

Global (Europe excluded)

TS-TWN30402	50mm (2") 304 SS well, 1/2" NPT
TS-TWN30404	100mm (4") 304 SS well, 1/2" NPT
TS-TWN30406	150mm (6") 304 SS well, 1/2" NPT
TS-TWN30408	200mm (8") 304 SS well, 1/2" NPT
TS-TWN31602	50mm (2") 316 SS well, 1/2" NPT
TS-TWN31604	100mm (4") 316 SS well, 1/2" NPT
TS-TWN31606	150mm (6") 316 SS well, 1/2" NPT
TS-TWN31608	200mm (8") 316 SS well, 1/2" NPT

Europe only

TS-TWB304050	50mm (2") 304 SS well, 1/2" BSPT
TS-TWB304100	100mm (4") 304 SS well, 1/2" BSPT
TS-TWB304150	150mm (6") 304 SS well, 1/2" BSPT
TS-TWB304200	200mm (8") 304 SS well, 1/2" BSPT

Product Specifications

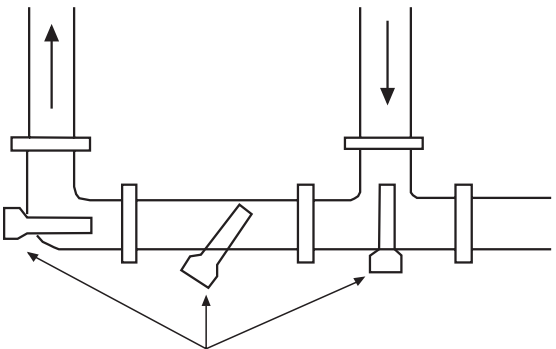
Material

Material _____ 304 Series stainless steel
 316 Series stainless steel (NPT only)
 Length _____ 2" (50.8 mm), 4" (101.6 mm), 6" (152.4 mm), 8" (203.2 mm) Standard
 Thread Size _____ 1/2" NPT or BSPT
 Construction _____ Machined construction

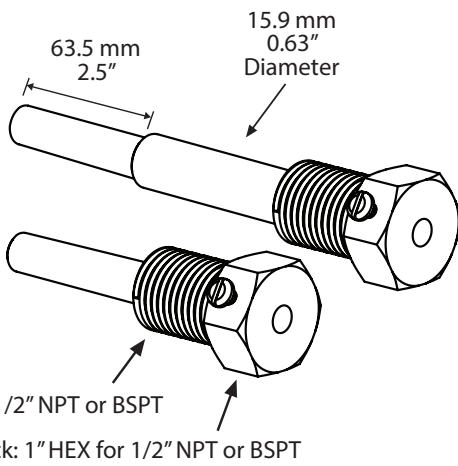
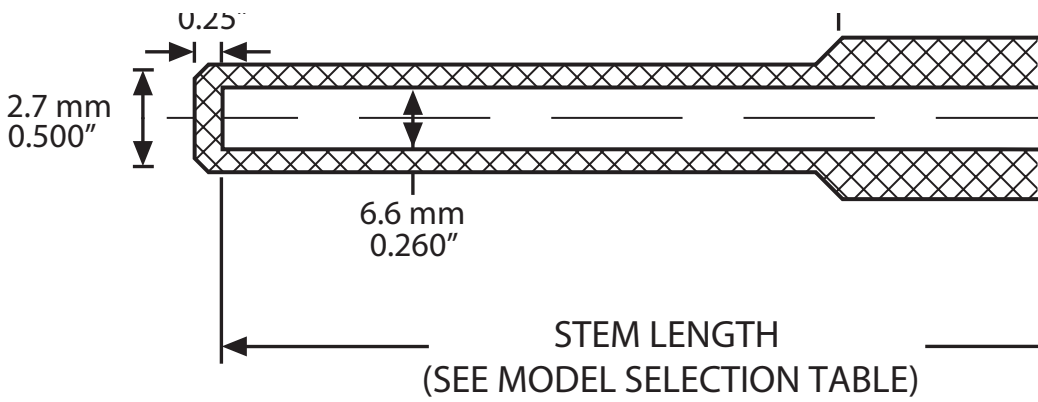


T2 THERMOWELL PRESSURE AND FLOW SPECIFICATIONS									
Alloy	Description	Maximum Flow @ 750°F (400°C)				Maximum Pressure			
		Air and Steam		Water		At 200°F (100°C)		At 750°F (400°C)	
		ft/s	m/s	ft/s	m/s	PSI	BAR	PSI	BAR
304 S/S	2" (50mm), 1/2" NPT/BSP, 0.026" (6mm) Bore	65	19.8	48	14.6	6290	433	3805	263
	4" (100mm), 1/2" NPT/BSP, 0.026" (6mm) Bore	65	19.8	48	14.6				
	6" (150mm), 1/2" NPT/BSP, 0.026" (6mm) Bore	49	14.9	37	11.2				
	8" (200mm), 1/2" NPT/BSP, 0.026" (6mm) Bore	32	9.7	24	7.3				
	12" (300mm), 1/2" NPT/BSP, 0.026" (6mm) Bore	12	3.6	12	3.6				
	18" (450mm), 1/2" NPT/BSP, 0.026" (6mm) Bore	4	1.2	4	1.2				
316 S/S	2" (50mm), 1/2" NPT/BSP, 0.026" (6mm) Bore	63	19.2	48	14.6	6615	456	5500	380
	4" (100mm), 1/2" NPT/BSP, 0.026" (6mm) Bore	63	19.2	48	14.6				
	6" (150mm), 1/2" NPT/BSP, 0.026" (6mm) Bore	47	14.3	37	11.2				
	8" (200mm), 1/2" NPT/BSP, 0.026" (6mm) Bore	31	9.4	24	7.3				
	12" (300mm), 1/2" NPT/BSP, 0.026" (6mm) Bore	12	3.6	12	3.6				
	18" (450mm), 1/2" NPT/BSP, 0.026" (6mm) Bore	4	1.2	4	1.2				

Device Drawings



Thermowell placement in pipe



Process Thread: 1/2" NPT or BSPT
 HEX Stock: 1" HEX for 1/2" NPT or BSPT

Specifications subject to change without notice.
 ©, Distech Controls Inc., 2019. All rights reserved.

Global Head Office - 4205 place de Java, Brossard, QC, Canada, J4Y 0C4 - EU Head Office - ZAC de Sacuny, 558 avenue Marcel Mérieux, 69530 Brignais, France